



5601 SKYLAB ROAD
HUNTINGTON BEACH, CA 92647

Srixon, Quick Tune System and QTS are registered trademarks of Srixon / Cleveland Golf / XXIO, a division of Dunlop Sports Co. Ltd. Dedicated to Improving Your Game, Tour V.T. Sole, Power Wave, Stretch Flex, and Arc Support Channel are trademarks of Srixon / Cleveland Golf / XXIO, a division of Dunlop Sports Co. Ltd. All other brand and product names are trademarks of their respective companies.



FALL TWO THOUSAND SIXTEEN
DEALER PRODUCT CATALOG



SRIXON DELIVERS TOTAL PERFORMANCE

GOLF BALLS	4
DRIVERS	14
FAIRWAY WOODS & HYBRIDS	18
IRONS & UTILITY IRON	22
SHAFTS	32
Z 355	38
SOFT GOODS	44

SOFT FEEL

NEW



Now in its 10th generation, the new Srixon Soft Feel golf ball provides even better feel on all shots, improved greenside spin and incredible distance and accuracy from tee to green. Available in Soft White and Tour Yellow.

Softer, Lower Compression Core
Softer feel on all full shots without sacrificing the incredible distance and accuracy from tee to green.

Softer, Thinner Cover
Provides more greenside spin and softer feel on all pitches, chips and putts.

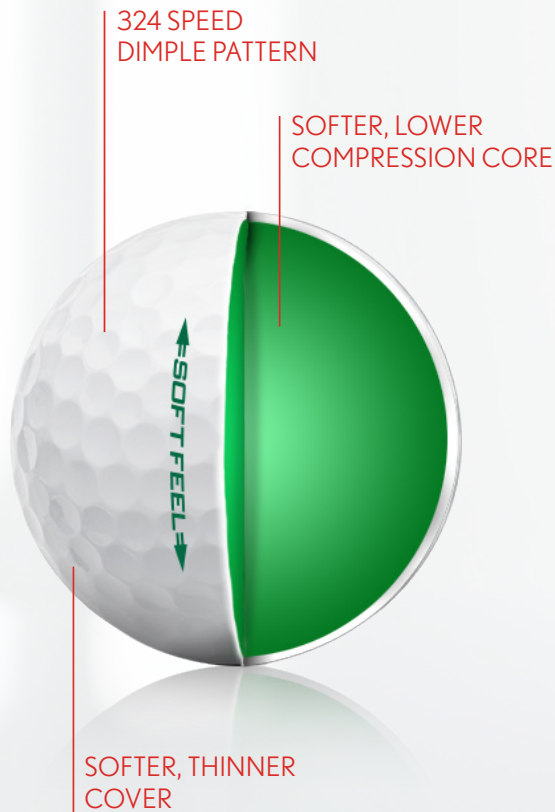
Energetic Gradient Growth Core
Advanced core construction promotes seamless energy transfer to maximize distance and optimize ball performance on every shot.

Swing Speed: All
Launch: High
Greenside Spin: Mid

SPECS

Construction	2pc
Cover Material	Ionomer
Cover Hardness	57
Cover Thickness	0.063"
Compression	60
Dimple Number	324

Available in both Soft White and Tour Yellow.



SOFT FEEL LADY

NEW



The new Srixon Soft Feel Lady golf ball, in its 5th generation, features the same performance benefits as the Soft Feel with a slightly higher launch. Available in Soft White and Passion Pink.

Softer, Lower Compression Core
Softer feel on all full shots without sacrificing the incredible distance and accuracy from tee to green.

Softer, Thinner Cover
Provides more greenside spin and softer feel on all pitches, chips and putts.

Energetic Gradient Growth Core
Advanced core construction promotes seamless energy transfer to maximize distance and optimize ball performance on every shot.

Swing Speed: All
Launch: High
Greenside Spin: Mid

SPECS

Construction	2pc
Cover Material	Ionomer
Cover Hardness	57
Cover Thickness	0.057"
Compression	60
Dimple Number	324

Available in both Soft White and Passion Pink.



QSTAR



The Q-STAR is for golfers who demand premium performance in an all-ability golf ball. Engineered with tour ball technology, the Q-STAR delivers a superior combination of distance, accuracy, greenside spin and durability.

Spin Skin

Helps increase frictional force at impact for more greenside spin and improved feel.

324 Aerodynamic Speed Dimple Pattern

Optimum combination of dimple occupancy and dimple uniformity reduces drag for a more penetrating ball flight and maximum distance on every shot.

Energetic Gradient Growth Core

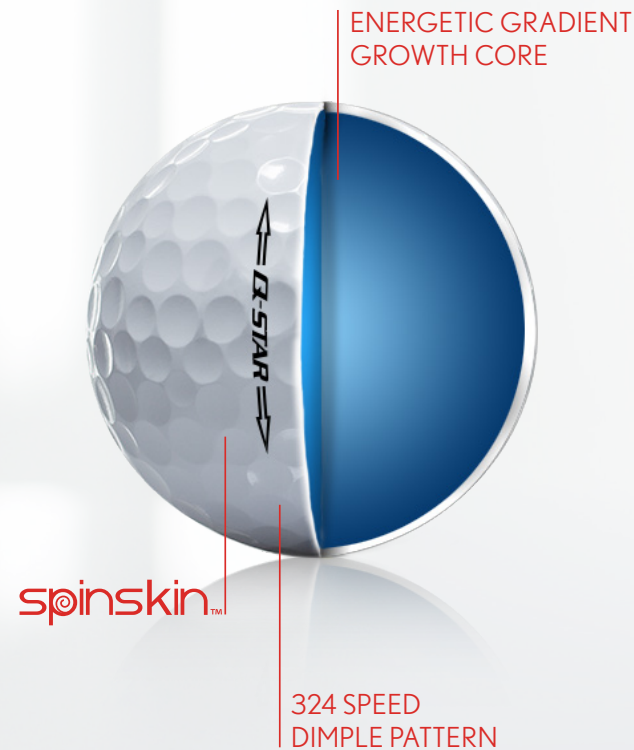
Advanced core construction promotes seamless energy transfer to maximize distance and optimize ball performance on every shot.

Swing Speed: 75+ MPH
Launch: Mid-High
Greenside Spin: Mid-High

SPECS

Construction	2pc
Cover Material	Ionomer
Cover Hardness	57
Cover Thickness	0.057"
Compression	77
Dimple Number	324

Available in both Pure White and Tour Yellow.



QSTAR TOUR

NEW



The Q-STAR TOUR is a premium, lower-compression golf ball with a urethane cover designed especially for golfers with moderate swing speeds that demand the performance and feel of a tour ball.

3-Piece Ball with Soft, Thin Urethane Cover

Excellent total performance with tour-level greenside spin and feel.

Improved Spin Skin

Helps increase frictional force at impact for more greenside spin and improved feel.

Energetic Gradient Growth Core

Advanced core construction promotes seamless energy transfer to maximize distance and optimize ball performance on every shot.

Swing Speed: 75+ MPH
Launch: Mid-High
Greenside Spin: High

SPECS

Construction	3pc
Cover Material	Urethane

Available in Pure White.



Z-STAR

Z-STAR XV



NEW

Engineered for golfers who demand maximum performance. The Srixon Z-STAR golf ball delivers unmatched technology with incredible feel so golfers can elevate all aspects of their game to score better.

New Third Generation Spin Skin

Softer cover coating produces more friction at impact for even better approach and greenside spin performance, especially from the rough.

New Speed Dimple Pattern

Optimum combination of dimple occupancy and dimple uniformity creates even less drag. The result is longer distance and a truer, more penetrating ball flight on full shots.

Energetic Gradient Growth Core

Softer, lower-compression core enhances feel and promotes seamless energy transfer to optimize ball performance on every shot.

Swing Speed: 90+ MPH

Launch: Mid

Greenside Spin: High

SPECS

Construction	3pc
Cover Material	Urethane

Available in both Pure White and Tour Yellow.



NEW

Engineered for golfers who demand maximum performance. The Srixon Z-STAR XV golf ball delivers unmatched technology with incredible feel so golfers can elevate all aspects of their game to score better.

New Third Generation Spin Skin

Softer cover coating produces more friction at impact for even better approach and greenside spin performance, especially from the rough.

New Speed Dimple Pattern

Optimum combination of dimple occupancy and dimple uniformity creates even less drag. The result is longer distance and a truer, more penetrating ball flight on full shots.

New Dual Energetic Gradient Growth Core

Advanced two-layer core construction maximizes distance by promoting higher launch, lower spin and faster ball speed on full shots.

Swing Speed: 100+ MPH

Launch: Mid-High

Greenside Spin: High

SPECS

Construction	4pc
Cover Material	Urethane

Available in both Pure White and Tour Yellow.



MARATHON



ENERGETIC GRADIENT GROWTH CORE



IONOMER COVER

The Marathon is engineered for distance and durability. The large, highly resilient Energetic Gradient Growth core delivers extreme distance and the strong ionomer cover protects the ball from harsh elements.

Energetic Gradient Growth Core

Advanced core construction promotes seamless energy transfer to maximize distance and optimize ball performance on every shot.

Strong Ionomer Cover

Enhances durability for longer performance and value.

Swing Speed: All
Launch: Mid-High
Greenside Spin: Mid

SPECS

Construction	2pc
Cover Material	Ionomer
Cover Hardness	63
Cover Thickness	0.071"
Compression	98
Dimple Number	333

Available in Pure White.

15-PACK AVAILABLE IN SPRING 2017

RANGE BALLS

PREMIUM RANGE BALL



The Premium Range ball is the softest, most durable offering we have ever engineered.

Colors: White/Yellow

Construction: 2 PC

Custom Logo Available Upon Request

LIMITED FLIGHT RANGE BALL



The Limited Flight Range ball feels soft and is three times more durable than the average offering.

Colors: White/Yellow

Construction: 1 PC

Custom Logo Available Upon Request

FLOATING RANGE BALL



The Floating Range ball is a durable, lightweight, low-compression 2-piece ball that floats on the water.

Color: White

Construction: 2 PC

Custom Logo Available Upon Request

CUSTOM DESIGNED AND PERSONALIZED

Srixon simplifies the process of ordering both logo and personalized golf balls. You will be guided step-by-step through the process of uploading your logo or typing in your personalization. In addition, you will be able to proof your design with our new 3D rotational capability. The ease and functionality of this site will make every custom order a breeze. Just print out the order and reference the project ID number when calling it into our customer service department: 1-800-999-6263.



SRIXON®

DEDICATED TO IMPROVING YOUR GAME™



THE NEW SRIXON Z SERIES

DESIGNED FOR MAXIMUM DISTANCE AND CONTROL,
THESE ARE THE MOST INNOVATIVE, HIGHEST
PERFORMING CLUBS SRIXON HAS EVER MADE



SRIXON HAS CREATED
A RIPPLE EFFECT

THREE INNOVATIONS WORK TOGETHER TO MAXIMIZE DISTANCE AND CONTROL OFF THE TEE

NEW POWER WAVE SOLE

Advanced multi-step design allows the entire sole to flex, which enhances COR especially on low impacts.



NEW STRETCH FLEX CUP FACE

Face has been extended farther around crown and sole to create a larger sweet spot.



NEW LIGHTWEIGHT CROWN

About 4 grams have been removed from the crown and repositioned to enhance clubhead MOI and lower the center of gravity.





The Srixon **Z 565 Driver** is creating a Ripple Effect, delivering the most advanced innovation and best performance Srixon has ever made. The Srixon Z 565 driver promotes a higher launch with more forgiveness and slight draw bias.

KEY INNOVATIONS:

Ripple Effect Delivers Distance

Three innovations work together to maximize distance and control off the tee.

New Power Wave Sole

Advanced multi-step design allows the lower face to flex, helping increase distance across the face.

New Stretch Flex Cup Face

Face has been extended farther around crown and sole to create a larger sweet spot.

New Lightweight Crown

About 4 grams have been removed from the crown and repositioned to enhance clubhead MOI and lower the center of gravity.

SPECS

LOFT	LENGTH	LIE ANGLE	HEAD SIZE	SW	HEAD WEIGHT	AVAILABLE OPTIONS
9.5°	45"	57.5°	460cc	D5	205g	RH/LH
10.5°	45"	57.5°	460cc	D5	205g	RH/LH

SHAFT: **Miyazaki Kaula MIZU 5**



FLEX	KICKPOINT	WEIGHT (g)	TORQUE	INTERNATIONAL FLEX CODE
S	Mid	57	3.8°	5544
R	Mid	54	3.8°	3332

GRIP: **GOLF PRIDE TOUR VELVET 360 (50g)**



The Srixon **Z 765 Driver** is creating a Ripple Effect, delivering the most advanced innovation and best performance Srixon has ever made. The Srixon Z 765 driver delivers a powerful, accurate launch for those with high swing speed.

KEY INNOVATIONS:

Ripple Effect Delivers Distance

Three innovations work together to maximize distance and control off the tee.

New Power Wave Sole

Advanced multi-step design allows the lower face to flex, helping increase distance across the face.

New Stretch Flex Cup Face

Face has been extended farther around crown and sole to create a larger sweet spot.

New Lightweight Crown

About 4 grams have been removed from the crown and repositioned to enhance clubhead MOI and lower the center of gravity.

SPECS

LOFT	LENGTH	LIE ANGLE	HEAD SIZE	SW	HEAD WEIGHT	AVAILABLE OPTIONS
9.5°	45"	57.5°	445cc	D5	205g	RH/LH
10.5°	45"	57.5°	445cc	D5	205g	RH/LH

SHAFT: **Miyazaki Kaula MIZU 6**



FLEX	KICKPOINT	WEIGHT (g)	TORQUE	INTERNATIONAL FLEX CODE
X	Mid	66	3.4°	6666
S	Mid	65	3.4°	5554

GRIP: **GOLF PRIDE TOUR VELVET 360 (50g)**



NEW STRETCH FLEX CUP FACE ENHANCES BALL SPEED

The new Z F65 fairway woods have been designed with optimal performance technology by loft.

The new Stretch Flex Cup Face in Z F65 lower lofts is made from powerful HT1770 maraging steel alloy and is 8 percent thinner than the Z F45. This has helped create an 8 percent larger high COR area in the Z F65 fairway, which helped generate an average of 4 yards greater distance than the Z F45 in a player test.*

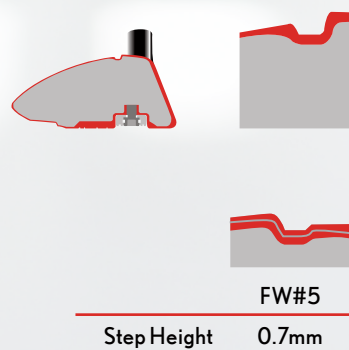


*Player test conducted by Dunlop Sports Co. LTD.

NEW ARC SUPPORT CHANNEL IMPROVES LAUNCH CONSISTENCY

With the new Arc Support Channel, a crown channel promotes a higher launch and optimal spin across the face.

The Z F65 #5 fairway wood features the new Arc Support Channel. This technology has been proven to tighten dispersion by promoting a higher launch and optimal spin across the face, especially slightly above center.



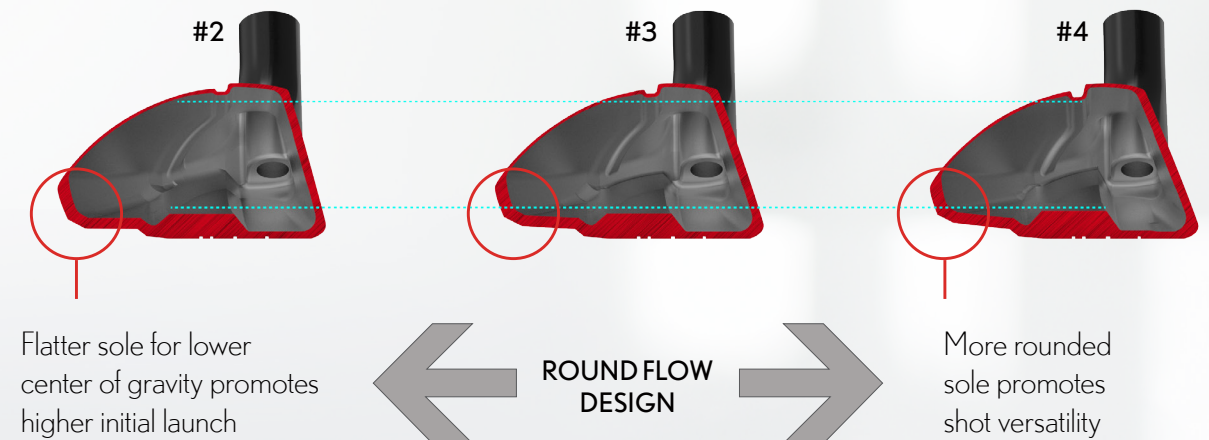
Z H65 HYBRIDS FEATURE NEW ARC SUPPORT CHANNEL FOR IMPROVED PERFORMANCE

The new Z H65 hybrids are designed with the Arc Support Channel to enhance accuracy. This progressive crown feature, included in every Z H65 loft, promotes a high launch angle and optimal spin across the face especially slightly above center. The results are more consistent distance and accuracy from longer distances.

ARC SUPPORT CHANNEL DIMENSIONS

Z H65 HYBRIDS	#2	#3	#4
Step Height	0.7mm	1.0mm	1.5mm

Z H65 hybrid low lofts feature a flatter sole and lower center of gravity that promotes a higher initial launch. The high lofts are designed with a more rounded sole that promotes shot versatility.





The Srixon **Z F65 Fairway Wood** is creating a Ripple Effect, delivering the most advanced innovation and best performance Srixon has ever made. The Srixon Z F65 Fairway Wood is designed for maximum distance with a higher, more forgiving launch.

**LOW LOFTS (3+, 3, 4)
MAXIMIZE DISTANCE:**

New Stretch Flex Cup Face
Face has been extended farther around crown and sole to create a larger sweet spot.

New Crown Design
A strategically placed crown step lowers CG, which promotes a high launch and low spin.

**HIGH LOFT (5)
MAXIMIZES CONTROL:**

New Arc Support Channel
A crown channel promotes higher launch and optimal spin across the face.

SPECS

MODEL	LOFT	LENGTH	LIE ANGLE	HEAD SIZE	SW	AVAILABLE OPTIONS
3+	13.5°	43"	57.0°	172cc	D2	RH
3	15.0°	43"	57.0°	173cc	D2	RH/LH
4	17.0°	42.75"	57.5°	161cc	D2	RH
5	19.0°	42.5"	58.0°	144cc	D2	RH/LH

SHAFT: **Miyazaki Kaula MIZU 6**



FLEX	KICKPOINT	WEIGHT (g)	TORQUE	INTERNATIONAL FLEX CODE
X	Mid	66	3.4°	6666
S	Mid	65	3.4°	5554
R	Mid	62	3.4°	4443

GRIP: **GOLF PRIDE TOUR VELVET 360 (50g)**



The Srixon **Z H65 Hybrid** is creating a Ripple Effect, delivering the most advanced innovation and best performance Srixon has ever made. The Srixon Z H65 Hybrid is designed for maximum distance with a higher, more forgiving launch.

New Arc Support Channel

A crown channel is progressively deeper by loft to promote a higher launch and optimal spin across the face.

Optimized Center of Gravity Locations

Lower lofts feature a lower center of gravity that promotes a higher initial launch. Higher lofts are designed with a more rounded sole that promotes shot versatility.

SPECS

MODEL	LOFT	LENGTH	LIE ANGLE	HEAD SIZE	SW	AVAILABLE OPTIONS
2	16.0°	40.75"	59.0°	110cc	D2	RH
3	19.0°	40.25"	59.5°	108cc	D2	RH/LH
4	22.0°	39.75"	60.0°	105cc	D2	RH/LH

SHAFT: **Miyazaki Kaula 7 for HYBRID**



FLEX	KICKPOINT	WEIGHT (g)	TORQUE	INTERNATIONAL FLEX CODE
X	Mid	74	3.4°	7555
S	Mid	73	3.4°	6545
R	Mid	71	3.4°	5434

GRIP: **GOLF PRIDE TOUR VELVET 360 (50g)**



IRONS & UTILITY IRON

Z 565 | Z 765 | Z 965 | Z U65



OUR BEST IRON
PERFORMANCE IS
NOW EVEN BETTER

REFINED TOUR V.T. SOLE HIGHLIGHTS INNOVATIONS ON NEW SRIXON Z SERIES IRONS

SMOOTHER TURF PERFORMANCE

The new Tour V.T. Sole has been modified to move even more efficiently through the turf, reducing impact resistance and tightening shot dispersion for maximum consistency and control.

MORE SPIN CONTROL

All iron faces feature 5 percent larger grooves compared to the previous generation and Double Laser Milling. This improves contact, especially in wet conditions, for consistent spin control.

UNSURPASSED FEEL

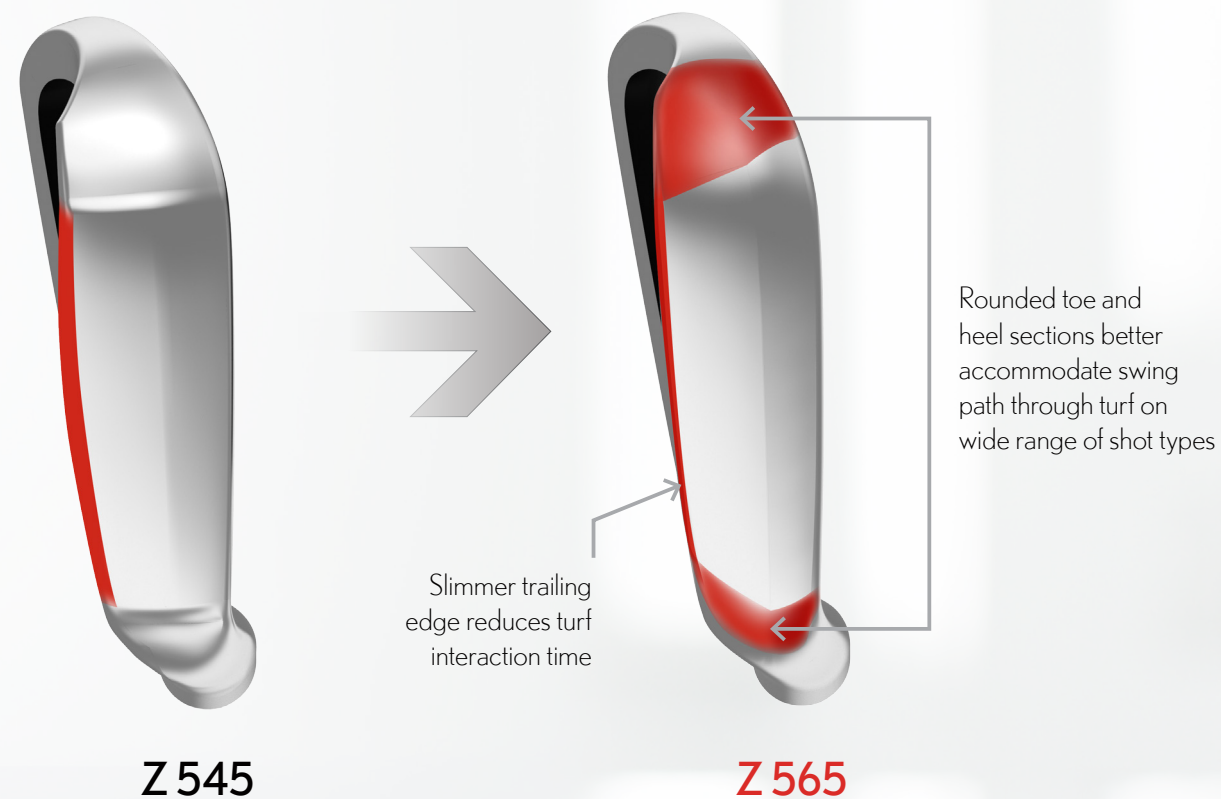
Combining ultra-soft 1020 carbon steel head material with a new special heat treatment*, the new Z65 irons are precision forged for the smoothest, most consistent feel.



*Only for Z 765 and Z 965 irons.

NEW TOUR V.T. SOLE MINIMIZES TURF RESISTANCE

The Tour V.T. Sole was modified to move even more efficiently through the turf in two key ways - a shape that better matches the user's clubhead path through the turf at impact, and strategically removed material to minimize turf contact time on every type of iron shot. This promotes crisper feel at impact and improves accuracy.

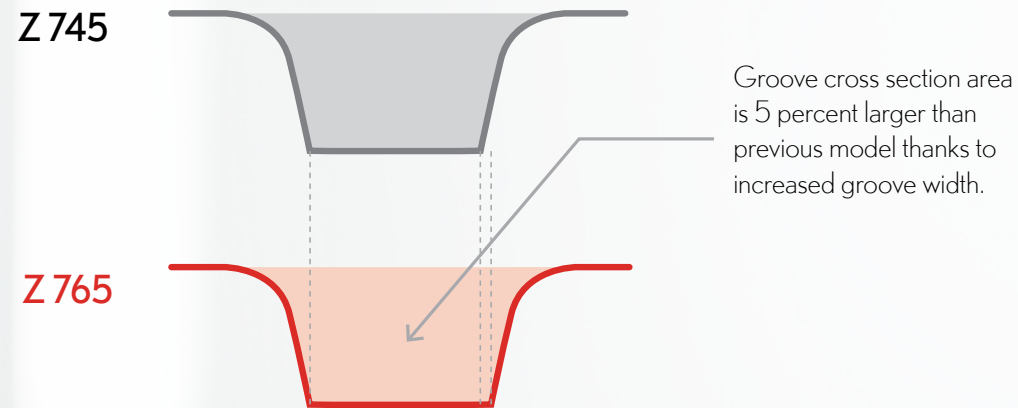


IMPROVED SPIN CONTROL WITH LARGER GROOVES, DOUBLE LASER MILLING

The groove cross section area for the new Srixon Z Series irons is 5 percent larger than the previous generation. This has been achieved through an increased groove width. The larger grooves allow more debris to be channeled away from the face at impact, which improves contact for better friction and more consistent spin.

The Double Laser Milling technology increases the amount of face surface roughness, which also stabilizes spin.

The result is more spin control and tighter dispersion, especially in wet conditions or the rough.



SHAFTS AVAILABLE AT NO UPCHARGE

COMPANY	MODEL	FLEXES
KBS	C Taper	S, X
KBS	C Taper Lite	R, S, X
KBS	Tour	R, S, X
KBS	Tour 90	R, S
KBS	Tour 105	R, S
NEW	KBS Tour FLT	R, S, X
KBS	Tour V	R, S, X
Nippon	NS Pro Modus3 105	R, S, X
Nippon	NS Pro Modus3 120	S, X
Nippon	NS Pro Modus3 125	S, X
Nippon	NS Pro Modus3 130	R, S, X
Nippon	NS Pro 950GH	R, S
NEW	Nippon NS Pro 950GH DST	R, S
True Temper	Project X	5.0, 5.5, 6.0, 6.5, 7.0
NEW	True Temper Project X LZ	5.5, 6.0, 6.5
True Temper	Project X Pxi	5.5, 6.0, 6.5
True Temper	Dynamic Gold	R300, S300, X100
True Temper	Dynamic Gold Tour Issue	S400, X100
True Temper	Dynamic Gold SL	R300, S300, X100
NEW	True Temper Dynamic Gold AMT	S300, X100
NEW	True Temper Dynamic Gold AMT Tour Issue	S400, X100
NEW	True Temper XP 90	R300, S300
True Temper	XP 95	R300, S300
True Temper	XP 105	R300, S300
True Temper	XP 115	R300, S300

GRIPS AVAILABLE AT NO UPCHARGE

COMPANY	MODEL	COLORS/SIZES
Iomic	Sticky	Black
Golf Pride	Z 355 Stock	Black
Golf Pride	Tour Velvet	Ribbed, Midsize, Jumbo
Golf Pride	Tour Velvet Full	Cord Ribbed
Golf Pride	2G Tour Wrap Black	Black, White, Red
Golf Pride	CP2 Pro	Red
Golf Pride	CP2 Wrap	Blue
Golf Pride	New Decade Multi-Compound	White, Blue, Red, Midsize
Golf Pride	New Decade MC Platinum	Blue, Red
Golf Pride	MCC Plus 4	Blue, Red, Grey
Golf Pride	Z Cord	Black
Lamkin	Crossline	Ribbed, Midsize
Lamkin	Crossline Full Cord	Black
Lamkin	REL ACE 3 GEN	Black, Blue, Red, Orange, Lt Blue, Pink, Purple
Lamkin	UTx	Red, Black, Blue, Midsize
Lamkin	UTx Wrap	Black, Blue
Lamkin	Wrap Tech	Black, Blue, Red
Winn	Dri-Tac	Black, Midsize
Winn	Excel	Black, Midsize, Jumbo

Only two shafts with upcharges will be Aerotech SteelFiber and UST Recoil.



The Srixon **Z 565 Irons** have made Srixon's best iron performance even better. The Z 565 is a highly playable forged cavity back that promotes maximum distance and forgiveness.

Smoother Turf Performance

The new Tour V.T. Sole has been modified to move even more efficiently through the turf, reducing impact resistance and tightening shot dispersion for maximum consistency and control.

Unsurpassed Feel With Distance

Featuring a 1020 carbon steel body, new Z 565 irons are precision forged for the smoothest, most consistent feel. These irons feature a high-strength SUP10 face insert for higher ball speed and more distance.

More Spin Control

All iron faces feature 5 percent larger grooves compared to the previous generation and Double Laser Milling. This improves contact, especially in wet conditions, for consistent spin control.

SPECS

MODEL	LOFT	LENGTH	LIE ANGLE	LEADING EDGE BOUNCE	TRAILING EDGE BOUNCE	OFFSET	STEEL SW	GRAPHITE SW	AVAILABLE OPTIONS
3	20.0°	39.0"	60.0°	12.0°	-9.0°	0.167"	D2	D1	RH/LH
4	22.0°	38.5"	60.5°	12.0°	-9.0°	0.159"	D2	D1	RH/LH
5	24.0°	38.0"	61.0°	14.0°	-7.0°	0.152"	D2	D1	RH/LH
6	27.0°	37.5"	61.5°	14.0°	-7.0°	0.140"	D2	D1	RH/LH
7	31.0°	37.0"	62.0°	16.0°	-6.0°	0.128"	D2	D1	RH/LH
8	35.0°	36.5"	62.5°	16.0°	-5.0°	0.116"	D2	D1	RH/LH
9	39.0°	36.0"	63.0°	18.0°	-5.0°	0.104"	D2	D1	RH/LH
PW	44.0°	35.5"	63.5°	18.0°	-3.0°	0.089"	D2	D1	RH/LH
AW	50.0°	35.5"	63.5°	18.0°	-1.5°	0.073"	D3	D2	RH



SHAFT: Miyazaki Kaula 8 for IRON



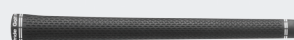
FLEX	KICKPOINT	WEIGHT (g)	TORQUE	INTERNATIONAL FLEX CODE
S	Mid	85	2.4°	6554
R	Mid	81	2.4°	5433

SHAFT: NIPPON N.S. PRO 980GH DST



FLEX	KICKPOINT	WEIGHT (g)	TORQUE
S	Mid-High	103	2.4°
R	Mid-High	98	2.6°

GRIP: GOLF PRIDE TOUR VELVET 360 (52g)



The Srixon **Z 765 Irons** have made Srixon's best iron performance even better. The Z 765 is a muscle cavity preferred by skilled players for its traditional profile and exceptional control.

Smoother Turf Performance

The new Tour V.T. Sole has been modified to move even more efficiently through the turf, reducing impact resistance and tightening shot dispersion for maximum consistency and control.

Unsurpassed Feel

Combining ultra-soft 1020 carbon steel head material with a new special heat treatment, new Z 765 irons are precision forged for the smoothest, most consistent feel.

More Spin Control

All iron faces feature 5 percent larger grooves compared to the previous generation and Double Laser Milling. This improves contact, especially in wet conditions, for consistent spin control.

SPECS

MODEL	LOFT	LENGTH	LIE ANGLE	LEADING EDGE BOUNCE	TRAILING EDGE BOUNCE	OFFSET	DG/MODUS SW	AVAILABLE OPTIONS
3	20.0°	39.0"	60.0°	14.0°	-6.0°	0.140"	D3	RH/LH
4	22.0°	38.5"	60.5°	14.0°	-6.0°	0.132"	D3	RH/LH
5	25.0°	38.0"	61.0°	16.0°	-6.0°	0.124"	D3	RH/LH
6	28.0°	37.5"	61.5°	16.0°	-6.0°	0.116"	D3	RH/LH
7	32.0°	37.0"	62.0°	18.0°	-5.0°	0.104"	D3	RH/LH
8	36.0°	36.5"	62.5°	18.0°	-5.0°	0.093"	D3	RH/LH
9	41.0°	36.0"	63.0°	20.0°	-4.0°	0.081"	D3	RH/LH
PW	46.0°	35.5"	63.5°	20.0°	-2.0°	0.073"	D3	RH/LH
AW	51.0°	35.5"	63.5°	21.0°	-1.0°	0.065"	D4	RH



SHAFT: TRUE TEMPER DYNAMIC GOLD



FLEX	KICKPOINT	WEIGHT (g)	TORQUE
X100	High	132	1.8°
S300	High	130	1.9°

SHAFT: NIPPON N.S. PRO MODUS3 TOUR 120



FLEX	KICKPOINT	WEIGHT (g)	TORQUE
X	Mid-High	120	1.7°
S	Mid-High	114	1.8°

GRIP: GOLF PRIDE TOUR VELVET 360 (52g)





The Srixon **Z 965 Irons** have made Srixon's best iron performance even better. The Z 965 is a compact muscle back blade ideal for the most advanced, demanding players.

Smoother Turf Performance

The new Tour V.T. Sole has been modified to move even more efficiently through the turf, reducing impact resistance and tightening shot dispersion for maximum consistency and control.

Unsurpassed Feel

Combining ultra-soft 1020 carbon steel head material with a new special heat treatment, new Z 965 irons are precision forged for the smoothest, most consistent feel.

More Spin Control

All iron faces feature 5 percent larger grooves compared to the previous generation and Double Laser Milling. This improves contact, especially in wet conditions, for consistent spin control.

SPECS

MODEL	LOFT	LENGTH	LIE ANGLE	LEADING EDGE BOUNCE	TRAILING EDGE BOUNCE	OFFSET	SW	AVAILABLE OPTIONS
3	20.0°	39.0"	60.0°	15.0°	-6.5°	0.136"	D3	RH
4	23.0°	38.5"	60.5°	15.0°	-6.5°	0.124"	D3	RH
5	26.0°	38.0"	61.0°	17.0°	-4.0°	0.116"	D3	RH
6	29.0°	37.5"	61.5°	17.0°	-4.0°	0.108"	D3	RH
7	33.0°	37.0"	62.0°	19.0°	-4.0°	0.096"	D3	RH
8	37.0°	36.5"	62.5°	19.0°	-3.0°	0.089"	D3	RH
9	41.0°	36.0"	63.0°	21.0°	-3.0°	0.077"	D3	RH
PW	46.0°	35.5"	63.5°	21.0°	-2.5°	0.065"	D3	RH

SHAFT: TRUE TEMPER DYNAMIC GOLD

FLEX	KICKPOINT	WEIGHT (g)	TORQUE
X100	High	132	1.8°
S300	High	130	1.9°

GRIP: GOLF PRIDE TOUR VELVET 360 (52g)



The Srixon **Z U65 Utility Iron** has made Srixon's best iron performance even better. Featuring hollow construction in a slim profile, the Z U65 is a versatile option for players seeking distance and control off the tee or on long approach shots.

Unsurpassed Feel With Distance

Featuring a 1020 carbon steel body, new Z U65 utility irons are precision forged for the smoothest, most consistent feel. These irons feature a high-strength SUP10 face insert for higher ball speed and more distance.

More Spin Control

All iron faces feature 5 percent larger grooves compared to the previous generation and Double Laser Milling. This improves contact, especially in wet conditions, for consistent spin control.

Hollow Construction

Allows weight to be repositioned low in the head for a higher initial launch.

SPECS

MODEL	LOFT	LENGTH	LIE ANGLE	SW	AVAILABLE OPTIONS
2	18.0°	40.25"	59.5°	D1	RH/LH
3	20.0°	39.75"	60.0°	D1	RH/LH
4	23.0°	39.25"	60.5°	D1	RH/LH

SHAFT: Miyazaki Kaula 7 for UTILITY

FLEX	KICKPOINT	WEIGHT (g)	TORQUE	INTERNATIONAL FLEX CODE
X	Mid	74	3.4°	6544
S	Mid	73	3.4°	5444
R	Mid	71	3.4°	4333

GRIP: GOLF PRIDE TOUR VELVET 360 (50g)

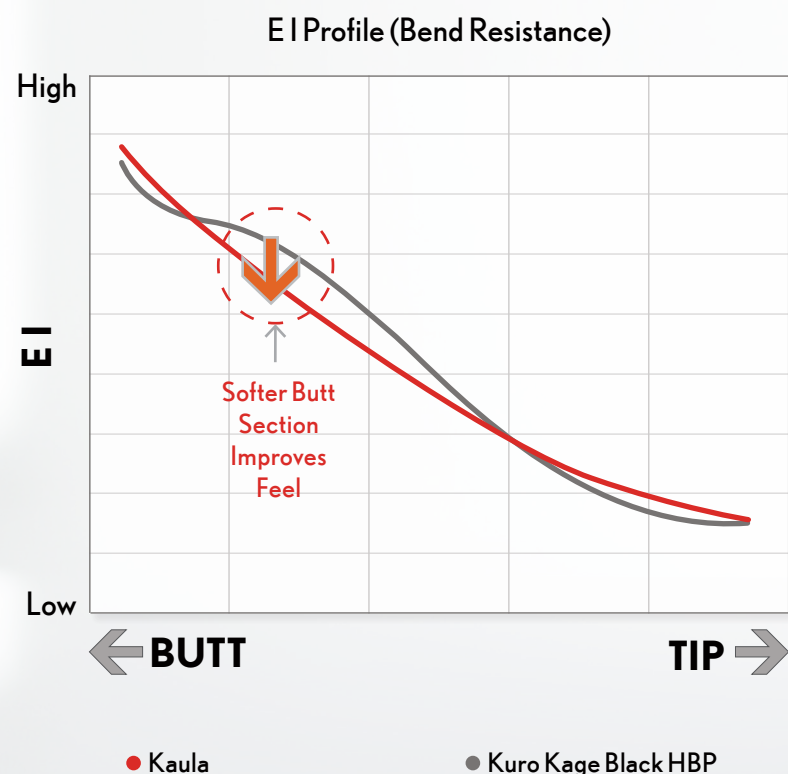


ENHANCED FEEL WITH ADVANCED LIGHTER DESIGN FOR MORE DISTANCE AND CONTROL

Available in four different profiles and 32 total options to fit a wide variety of swing types, Miyazaki Kaula shafts continue the tradition of premium performance and high-quality manufacturing.

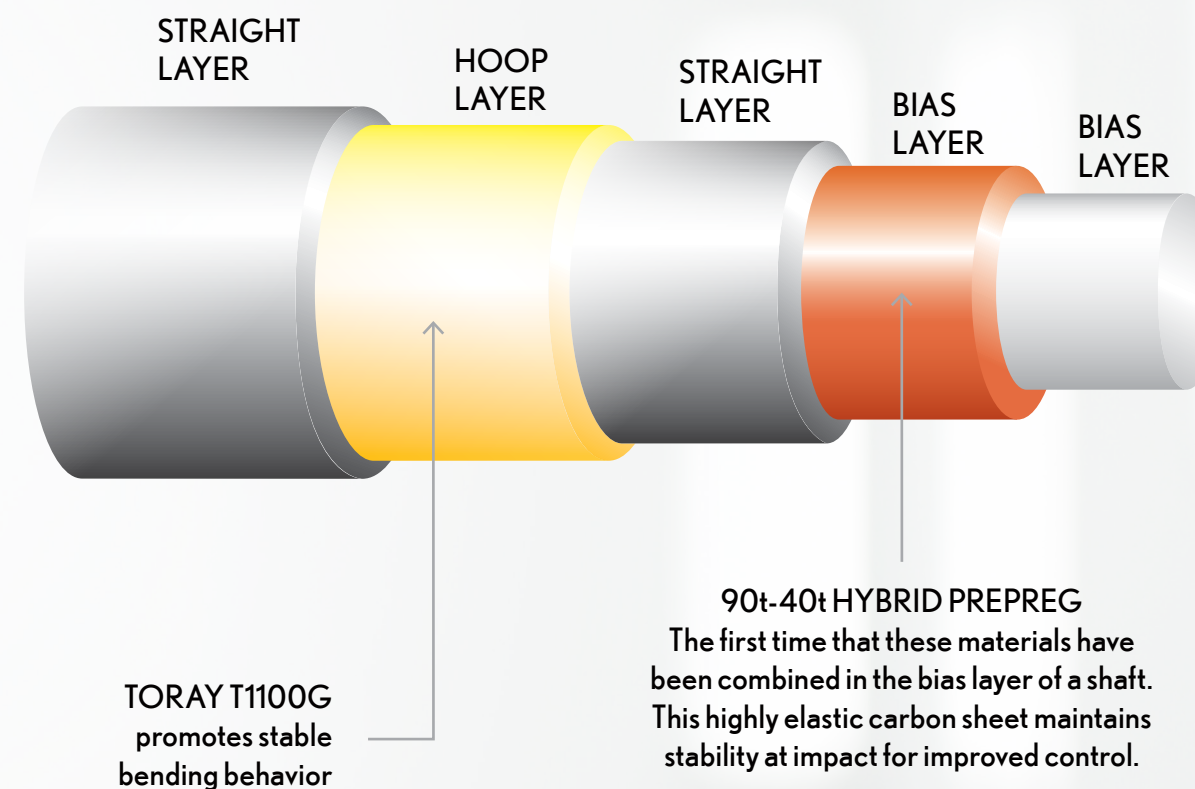


The new Miyazaki Kaula shafts are designed to increase distance with lighter weight profiles than the Mitsubishi Rayon Kuro Kage shafts. To maintain stability and control, Miyazaki engineers created a new stiffness distribution that is softer on the butt side and has lower torque. This adds flexibility and directional stability.



PREMIUM MATERIALS PROVIDE MAXIMUM PERFORMANCE

Miyazaki engineered the new Kaula shaft family with premium materials and precision manufacturing. The multi-material construction is designed to provide the optimal combination of stability and bending behavior, which optimizes distance and control.



Miyazaki test data shows that the new shaft construction has 6 percent lower face angle dispersion at impact and 12 percent lower dispersion of loft angle at impact.

MIYAZAKI KAULA SHAFTS

Kaula KORI (ICE)



Ideal for high-speed players who prefer a penetrating launch with low spin.

MODEL	FLEX	KICKPOINT	WEIGHT (g)	TORQUE	INTERNATIONAL FLEX CODE
KORI 8	X	High	83	2.7°	7799
KORI 7	X	High	74	2.9°	6688
	S	High	73	2.9°	5577
KORI 6	X	High	66	3.4°	5677
	S	High	65	3.4°	4466
	R	High	62	3.4°	3355
KORI 5	S	High	57	3.8°	3456
	R	High	54	3.8°	2344

Kaula MIZORE (SLEET)



Ideal for high-speed players who prefer a low-mid trajectory with low spin.

MODEL	FLEX	KICKPOINT	WEIGHT (g)	TORQUE	INTERNATIONAL FLEX CODE
MIZORE 8	X	Mid-High	83	2.7°	7897
MIZORE 7	X	Mid-High	74	2.9°	6786
	S	Mid-High	73	2.9°	5665
MIZORE 6	X	Mid-High	66	3.4°	5776
	S	Mid-High	65	3.4°	4665
	R	Mid-High	62	3.4°	4554
MIZORE 5	S	Mid-High	57	3.8°	4565
	R	Mid-High	54	3.8°	2442

MIYAZAKI KAULA SHAFTS

Kaula MIZU (WATER)



Suitable for a wide range of players who want maximum distance and control.

MODEL	FLEX	KICKPOINT	WEIGHT (g)	TORQUE	INTERNATIONAL FLEX CODE
MIZU 8	X	Mid	83	2.7°	8888
MIZU 7	X	Mid	74	2.9°	7777
	S	Mid	73	2.9°	6665
MIZU 6	X	Mid	66	3.4°	6666
	S	Mid	65	3.4°	5554
	R	Mid	62	3.4°	4443
MIZU 5	S	Mid	57	3.8°	5544
	R	Mid	54	3.8°	3332

Kaula KIRI (MIST)



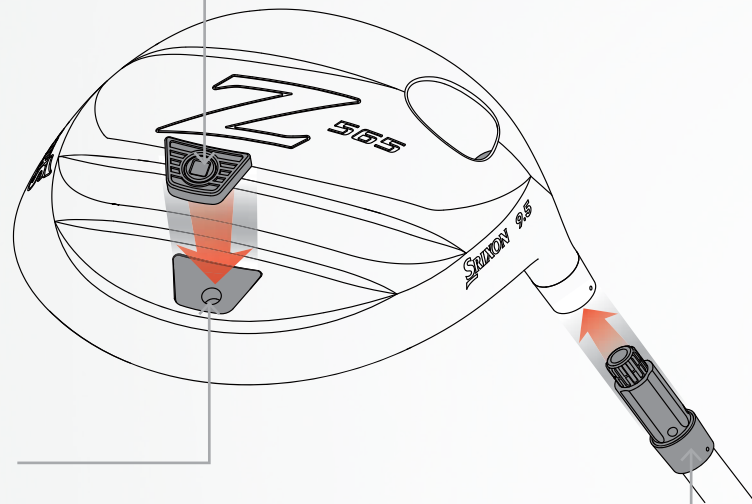
Optimal for players who need to increase distance with a higher launch.

MODEL	FLEX	KICKPOINT	WEIGHT (g)	TORQUE	INTERNATIONAL FLEX CODE
KIRI 8	X	Mid-Low	83	2.7°	9977
KIRI 7	X	Mid-Low	74	2.9°	8866
	S	Mid-Low	73	2.9°	7754
KIRI 6	X	Mid-Low	66	3.4°	7755
	S	Mid-Low	65	3.4°	6644
	R	Mid-Low	62	3.4°	5533
KIRI 5	S	Mid-Low	57	3.8°	6543
	R	Mid-Low	54	3.8°	4422

SELECT FROM 12 POSITIONS TO SET YOUR PREFERRED LOFT, FACE AND LIE ANGLE

Z 565 & Z 765 DRIVERS

TUNING WEIGHT
Able to adjust swing weight and precisely set depth of center of gravity (CG) by adjusting weights (Also available in Z F65 Fairway Wood).



Weight port (back)

QTS SLEEVE
Change position to set desired face angle, lie angle, and loft angle.

QTS SLEEVE ADJUSTMENT GUIDE

QTS SLEEVE POSITION TABLE

	①	②	③	④	⑤	⑥	⑦	⑧	⑨	⑩	⑪	⑫
Position	Initial											
Loft	STD LOFT Standard loft ±0°	-0.5°	-1.0°	-1.0°	-1.0°	-0.5°	STD UR Standard Upright ±0°	+0.5°	+1.0°	+1.0°	+1.0°	+0.5°
Face positioning	Straight face		Open face				Straight face		Closed face			
	±0°	-1.0°	-1.5°	-2.0°	-1.5°	-1.0°	±0°	+1.0°	+1.5°	+2.0°	+1.5°	+1.0°
Lie angle	Standard		Moderate upright				Upright		Moderate upright			
	±0°	±0°	+0.5°	+1.0°	+1.5°	+2.0°	+2.0°	+2.0°	+1.5°	+1.0°	+0.5°	±0°

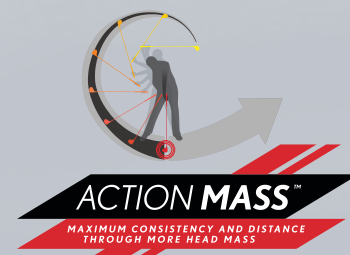
EXTRA WEIGHT CARTRIDGES



* The shape of this model's tuning weight differs from 2010, 2012, 2014 models.

MASSIVE DISTANCE. CONSISTENCY WAS A HEAVY INFLUENCE.

We developed Action Mass to give you an edge. More weight in the head plus an ultra-high balance point Miyazaki™ shaft help increase ball speed and promote a more consistent, stable swing. It's game-improvement, improved.



DRIVER SPECIFICATIONS



ACTION MASS
211g HEAD



6-4 Ti CUP FACE

QTS™ HOSEL

We developed the new **Z 355 Driver** for massive distance, and the key technology that gives you that edge is Action Mass.

KEY INNOVATIONS:

Action Mass Technology™

More weight in the head plus an ultra-high balance point Miyazaki shaft help increase ball speed and promote a more consistent, stable swing.

QTS™ Adjustability

Simplicity and 12 unique settings for loft, lie and face angle.

Cup Face Construction

Fast and powerful 6-4 Ti face creates a larger sweet spot.

Performance Type: Game Improvement

Launch: Mid-High

Spin: Low

SPECS

MODEL	LOFT	LENGTH	LIE ANGLE	HEAD SIZE	SW	AVAILABLE OPTIONS
9.5°	45"	59°	450cc	D8	211g	RH
10.5°	45"	59°	450cc	D8	211g	RH/LH
12°	45"	59°	450cc	D8	211g	RH/LH

SHAFT: Miyazaki Jinsoku



FLEX	KICKPOINT	WEIGHT (g)	TORQUE	TIPOD	BUTT OD
S	Mid	57	5.6°	.350"	.626"
R	Mid	54	5.7°	.350"	.626"
A	Mid	53	5.8°	.350"	.624"

GRIP: SRIXON BY GOLF PRIDE (44g)



AVAILABLE IN WOMEN'S OPTION

FAIRWAY WOOD SPECIFICATIONS



ACTION MASS



HT1770 MARAGING STEEL CUP FACE (#3 ONLY)

The **Z 355 Fairway** with Action Mass Technology has a confidence inspiring, playable profile to suit the eye of a wide variety of players.

KEY INNOVATIONS:

Action Mass Technology™

More weight in the head plus an ultra-high balance point Miyazaki shaft help increase ball speed and promote a more consistent, stable swing.

HT1770 Maraging Steel Cup Face (#3 only)

A maraging steel face offers powerful performance on all impact locations for exceptional forgiveness and feel.

Performance Type: Game Improvement

Launch: Mid-High

Spin: Low

SPECS

MODEL	LOFT	LENGTH	LIE ANGLE	HEAD SIZE	SW	AVAILABLE OPTIONS
3	15.0°	43"	57.5°	185cc	D5	RH/LH
4	17.0°	42.75"	58.0°	181cc	D5	RH
5	19.0°	42.5"	58.5°	169cc	D5	RH/LH
7	22.0°	42"	59.0°	158cc	D5	RH

SHAFT: Miyazaki Jinsoku



FLEX	KICKPOINT	WEIGHT (g)	TORQUE	TIPOD	BUTT OD
S	Mid	57	5.6°	.350"	.626"
R	Mid	54	5.7°	.350"	.626"
A	Mid	53	5.8°	.350"	.624"

GRIP: SRIXON BY GOLF PRIDE (44g)



AVAILABLE IN WOMEN'S OPTION

HYBRID SPECIFICATIONS



ACTION MASS



HT1770 MARAGING STEEL FACE

We developed the **Z 355 Hybrid** for massive distance, and the key technology that gives you that edge is Action Mass.

KEY INNOVATIONS:

Action Mass Technology™

More weight in the head plus an ultra-high balance point Miyazaki shaft help increase ball speed and promote a more consistent, stable swing.

HT1770 Maraging Steel Face

A maraging steel face offers powerful performance on all impact locations for exceptional forgiveness and feel.

Performance Type: Game Improvement

Launch: Mid-High

Spin: Low

SPECS

MODEL	LOFT	LENGTH	LIE ANGLE	HEAD SIZE	SW	AVAILABLE OPTIONS
3	19.0°	40.25"	60.0°	128cc	D3	RH/LH
4	23.0°	39.75"	60.5°	124cc	D3	RH/LH
5	26.0°	39.25"	61.0°	118cc	D3	RH/LH

SHAFT: Miyazaki Jinsoku

FLEX	KICKPOINT	WEIGHT (g)	TORQUE	TIPOD	BUTT OD
S	Mid	63	41.0°	.362"	.620"
R	Mid	62	41.0°	.362"	.618"
A	Mid	60	41.0°	.362"	.614"

GRIP: SRIXON BY GOLF PRIDE (44g)



AVAILABLE IN WOMEN'S OPTION

IRONS SPECIFICATIONS



TOUR V.T. SOLE



MARAGING STEEL FACE

ACTION MASS TECHNOLOGY

For these irons, the sole objective was consistency. **Z 355 Irons** are packed with technology designed to deliver incredible distance and accuracy more often.

KEY INNOVATIONS:

Action Mass Technology™

More weight in the head with an ultra high-balance point shaft for greater ball speed and consistency.

Tour V.T. Sole

Redesigned sole helps tighten shot dispersion with less turf resistance through impact.

Maraging Steel Face

A high-strength maraging steel face maximizes distance and forgiveness without compromising feel.

Performance Type: Game Improvement

Launch: Mid

SPECS

MODEL	LOFT	LENGTH	LIE ANGLE	LEADING EDGE BOUNCE	TRAILING EDGE BOUNCE	OFFSET	STEEL SW	GRAPHITE SW	AVAILABLE OPTIONS
4	22.0°	38.5"	60.5°	19.0°	-7.0°	0.187"	D2	D1	RH/LH
5	24.0°	38.0"	61.0°	20.0°	-6.0°	0.179"	D2	D1	RH/LH
6	27.0°	37.5"	61.5°	21.0°	-5.0°	0.167"	D2	D1	RH/LH
7	31.0°	37.0"	62.0°	22.0°	-4.0°	0.156"	D2	D1	RH/LH
8	35.0°	36.5"	62.5°	23.0°	-3.0°	0.144"	D2	D1	RH/LH
9	39.0°	36.0"	63.0°	26.0°	-1.0°	0.128"	D2	D1	RH/LH
PW	44.0°	35.5"	63.5°	28.0°	2.0°	0.112"	D2	D1	RH/LH
AW	50.0°	35.5"	63.5°	37.0°	8.0°	0.069"	D3	D2	RH/LH

SHAFT: Miyazaki Jinsoku Iron

SHAFT: NIPPON N.S. PRO 950GH DST

FLEX	KICKPOINT	WEIGHT (g)	TORQUE	TIPOD	BUTT OD			
						GRAPHITE	STEEL	
S	Mid	76	95	3.0°	2.7°	.362"	.610"	.600"
R	Mid	72	91	3.0°	2.9°	.362"	.606"	.600"
A	Mid	70		3.0°		.362"	.602"	

GRIP: SRIXON BY GOLF PRIDE (44g)



AVAILABLE IN WOMEN'S OPTION

SOFT GOODS

SRX/CG TOUR DELTA

- Proprietary Delta material by FlexFit
- 92% Polyester - 8% PU Spandex
- Antibacterial, quick drying, moisture-wicking, and stain resistant
- Classic structured fit
- **Sizes:** S/M, L/XL
- **Colors:** Black, White



Z DELTA CAP

- Proprietary Delta material by FlexFit
- 92% Polyester - 8% PU Spandex
- Antibacterial, quick drying, moisture-wicking, and stain resistant
- Classic structured fit
- **Sizes:** S/M, L/XL
- **Colors:** Black, White



SPINSKIN™ Z-STAR CAP

- Polyester Diamond material
- Moisture-wicking, antibacterial
- Contoured structured fit
- Adjustable velcro closure
- **Colors:** Black/White, White/White, Navy/White, Grey/White



TRANSITION CAP

- Tech polyester
- Moisture-wicking, antibacterial
- Adjustable velcro closure
- 110 4-way stretch headband by FlexFit
- Contoured structured fit
- **Colors:** Sky Blue, Black, Red, Grey



6P TRUCKER CAP

- Tech polyester front
- Moisture-wicking, antibacterial
- Nylon mesh back
- Snapback closure
- Classic structured fit
- **Colors:** Royal Blue, Steel, Red, Green, Orange, Black



MID VISOR

- Cotton twill
- Mid crown visor
- Terry cloth sweat band
- Adjustable closure
- **Colors:** Black, White



110 CAP

- 83% Acrylic - 15% Wool - 2% Spandex
- Classic structured fit
- Snapback closure
- **Colors:** Black, White



BEANIE

- Heather acrylic with fleece lining
- **Size:** One size fits most
- **Color:** Black



6P BAR TAG CAP

- Nylon diamond material
- Moisture-wicking, antibacterial
- Classic structured fit
- Snapback closure
- **Colors:** Cobalt, White, Black, White Camo, Grey, Navy



SOFT GOODS

TOUR STAFF BAG

- 13 LBS
- 9.5" 5-way top
- Exquisite design with TPU side logo
- Integrated umbrella sleeve
- 7 conveniently placed pockets, 2 inner zipper pockets
- Insulated cooler pockets
- Waterproof zipper for velour-lined valuables pocket
- Ergonomic rubber foot base
- Shoulder strap with Srixon logo
- **Custom Embroidery:** Detachable belly panel



Z FOUR STAND BAG

- 4.5 LBS
- 11" 4-way top and scooped front for easy club access
- Strategic 8-pocket layout
- CSS (Comfort Suspension System) straps
- EZ grab handles
- Umbrella sleeve and towel ring
- Scorecard sleeve and insulated hydration sleeve
- **Colors:** Black/Red, White/Red, Red, Navy, Chr/Tyl, Chr/Cyn, Green, Blue, White/Camo, White/Pink, Black/Team/Tournament
- **Custom Embroidery:** Front Zip-Off Ball Pocket



TOUR CART BAG

- 7.7 LBS
- 9" 14-way top
- Velour-lined valuables pocket
- 6 conveniently placed pockets
- Insulated cooler pocket
- Cart strap containment loop
- Ergonomic rubber foot pads with stability base
- **Colors:** Black, White
- **Custom Embroidery:** Detachable ball pocket



Z CART BAG

- 6 LBS
- 13" 15-way top
- 15 individual full-length dividers
- Oversized putter section
- 8-pocket layout with hydration sleeve
- Pen sleeve
- **Colors:** Charcoal, Grey/Tour Yellow, Grey/Pink
- **Custom Embroidery:** Front zip-off ball pocket



SOFT GOODS

SRIXON Z-CABRETTA GLOVE: WHITE

- Lycra insert positioned across the knuckles
- Cabretta leather for ideal fit and feel
- Provides flexibility and added comfort
- **Options:**
MLH Regular: S, M, ML, L, XL, XXL
MLH Cadet: S, M, ML, L, XL
MRH Regular: S, M, ML, L, XL
LLH: S, M, L



MICRO TRI-FOLD TOWEL

- Heavy-duty microfiber
- Superior absorbency and quick drying
- Carabiner clip attachment
- Tri-fold design
- **Size:** 16" x 21"
- **Color:** Black/Red/White



SRIXON Z-ALL WEATHER GLOVE: WHITE W/ BLACK

- Synthetic leather upper with Lycra inserts
- Cabretta leather patch on palm and thumb
- Powerful grip and durability
- **Options:**
MLH Regular: S, M, ML, L, XL, XXL
MLH Cadet: S, M, ML, L, XL
MRH Regular: S, M, ML, L, XL
LLH: S, M, L



PLAYER TOWEL

- Used by Srixon tour players
- Heavy-duty microfiber
- Superior absorbency and quick drying
- Carabiner clip attachment
- **Size:** 13.5" x 43.5"
- **Color:** Black/White



RAIN GLOVE

- Essential in wet and cold conditions
- Tour-proven microfiber suede palm provides added grip
- Quick-dry knit material assures optimum breathability and flexibility
- **Options:** Men's Pair (RH and LH); S, M, ML, L, XL



UMBRELLA

- 62" Arc
- Double canopy
- Handles wind gusts up to 71 mph
- Nylon
- **Color:** Black/Red/White



SOFT GOODS

TRAVEL COVER

- 1680 Ballistic nylon
- Thick sponge protection of golf clubs
- Oversized to accommodate most bags
- Security webbing with buckle
- 3 strategically placed pockets
- Easy-lift handle
- Wheeled construction
- 7.4 LBS
- **Color:** Black/Red



ROLLING CARRY-ON

- 1680 Ballistic nylon
- Easy entry main compartment opening
- Dual internal mesh zipped compartments
- Internal side accessory pockets
- Telescopic pull handle
- Heavy-duty chassis with oversized smooth ride urethane wheels
- Meets most airline carry-on size regulations
- **Size:** L 14" x 21" x 10.5"
- **Color:** Black/Red



DUFFEL

- 1680 Ballistic nylon
- Oversized main compartment
- Wide opening provides full interior access
- Interior shoe compartment
- Dual end pockets with cargo handles
- Adjustable and removable shoulder strap
- **Color:** Black/Red



BACKPACK

- 1680 Ballistic nylon
- Isolated side entry laptop compartment
- Padded and breathable back panel
- Soft touch neoprene handle
- Fleece-lined valuables pockets
- Oversized main compartment with heavy-duty zipper
- Deluxe organization panel
- **Color:** Black/Red



SHOE POUCH

- 1680 Ballistic nylon
- Drawstring closure
- Full inner velour lined
- External storage pocket
- **Color:** Black/Red



TOILETRY BAG

- 1680 Ballistic Nylon
- Hangs conveniently for easy access
- Organized for easy storage
- **Color:** Black/Red

